

PowerMaster



The Innova PowerMaster represents a full range of submersible electro hydraulic power units. These robust HPUs reflect demanding needs on submerged intervention spreads. A wide range of variable displacement pumps and regulator options allow tight adaptation to application specific requirements.

The model range spans over 4 classes from 18 to 200kW shaft power. All motors are 4-pole, 3phase AC operating at 60Hz. Operating voltages ranges from 1 kV to 3,3 kV.

HPU class	Power range kWShaft kW	Models	Typical applications
1	10 - 30	18	Tooling / Auxiliary
2	30 - 75	35, 45	Tooling / Auxiliary
3	75 - 110	95	Propulsion
4	110 - 200	135, 195	Propulsion

The units operate oil filled and compensated to ambient pressure. The housing is made from machined and anodized aluminium 6082T6. Fasteners, fittings and connectors are made from AISI316 stainless steel.

The units are configured with internal PT 100 sensor for temperature measurement and water ingress sensor. Signal interface is by Burton 5506-2004 as standard.

Power connection is by Burton 5536-3204 connector as standard. Oil filled hose can be provided as an option.

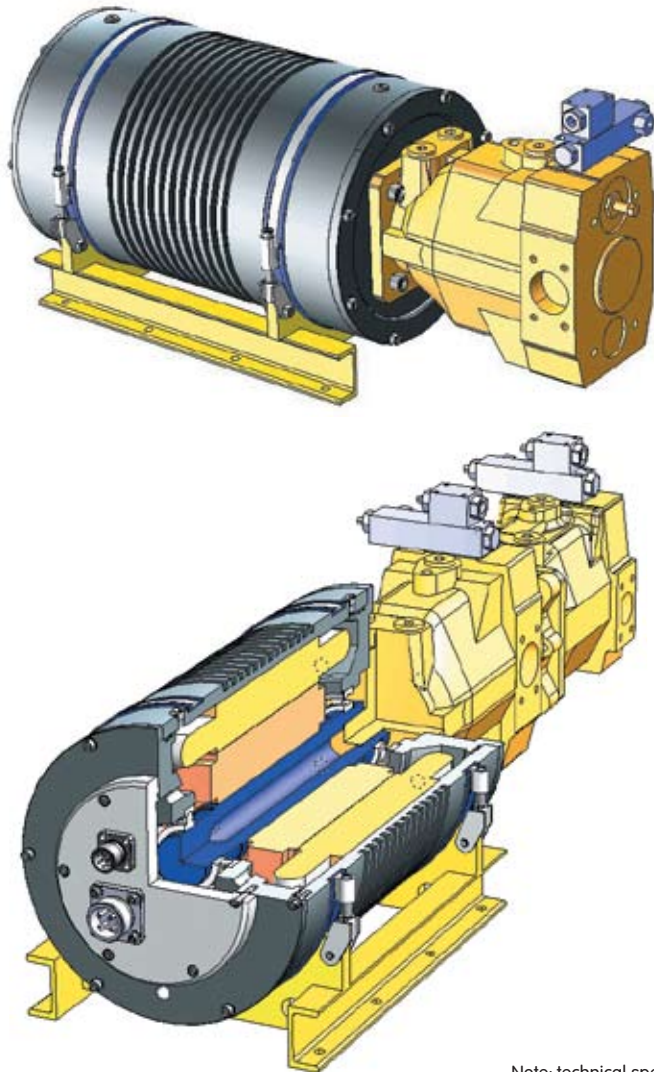
The HPUs utilise the Parker™ PVplus series of pumps as standard. This provides an extensive flexibility in displacement options and control configurations throughout the entire range of HPUs. Single or dual pumps can be delivered in more than 50 different configurations. Regulator options cover remote differential pressure, load sense, cut off pressure regulators and power limiters in many combinations.

The larger Innova PowerMaster units fit perfectly with Innova Thruster Master as the core of a propulsion system in intervention spreads.

All models are configured with a separate base that allows skidding installation into vehicle or system. This provides orientation freedom to solve hydraulic line connection in tight environments such as ROVs.

For special purposes Innova can offer other materials, surface treatments, alternative voltages, connectors, special pumps/ regulators, vertical mount etc.

PowerMaster



HPU delivery programme

All pumps variable displacement. Max pressure 350 bar continuous

Single pump units			Hydraulic capacity			
Class	Shaft power kW	Pump displ. ccm/rev	Max Flow LPM	Max pr. At Omax Bar	Max flow at 210 bar LPM	Max flow at 350 bar LPM
C4	195	270	467	225		301
		180	311	338		
	135	180	311	234		208
		140	242	301		208
C3	95	180	311	165	244	147
		140	242	212		147
	45	92	159	322		147
		80	138	176	116	69
C2	35	63	109	223	116	69
		46	80	305		69
		92	159	153	90	54
	18	80	138	176	90	54
		63	109	223	90	54
		46	80	305		54
C1	18	23	40	244		28
		20	35	281		28

Other pump options on request

Dual pump units			Hydraulic capacity					
Class	Shaft pwr kW	Displacement Pump 1 Pump 2		Max Flow LPM	Max pr. At Omax Bar	Max flow at 210 bar LPM	Max flow at 350 bar LPM	
C4	195	270	92	626	168	500	334	
		180	180	623	169	500	334	
		180	92	471	224	500	334	
		180	46	391	269	500	334	
		135	180	92	471	155	347	230
			180	80	450	162	347	230
			180	63	420	173	347	230
			180	46	391	186	347	230
			180	40	381	192	347	230
			180	32	367	199	347	230
	140		92	401	182	347	230	
	140		80	381	192	347	230	
	140		63	351	208	347	230	
	140		46	322	227	347	230	
	C3	95	140	40	311	234	347	230
			32	298	245	347	230	
			92	92	318	229	347	230
			92	80	298	245	347	230
			92	63	268	272	347	230
			92	46	239	305	347	230
92			40	228	319	347	230	
92			32	215	340	347	230	
140			92	401	128	242	145	
45		140	80	381	135	242	145	
		140	63	351	146	242	145	
		140	46	322	159	242	145	
		140	40	311	165	242	145	
		140	32	298	172	242	145	
		92	92	318	161	242	145	
		92	80	298	172	242	145	
		92	63	268	191	242	145	
		92	46	239	215	242	145	
C2	45	92	40	228	225	242	145	
		32	215	239	242	145		
		46	46	159	153	115	68	
		46	40	149	163	115	68	
		46	32	135	180	115	68	
		46	23	119	204	115	68	
C1	45	20	114	213	115	68		
		16	107	227	115	68		

Other combinations on request

Note: technical specifications are subject to change without notice. We accept no liability for any inaccuracy or printing errors.

INNOVA TECHNOLOGY

INNOVA