

Series 1194P

Absolute Pressure Switch

Nega-Rate® Belleville disc spring sensing mechanism and sensitive aneroid capsule suited for barometric applications from 0 to 100,000 feet.



- Aneroid capsule type pressure switch
- Suitable for altitude sensing applications

General Specifications

- Set point range from .5" to 70" HgA
- Deadband range from 1.5" Hg minimum
- Proof pressure up to 50 psig
- SPDT snap action switch element
- Temperature Range
 - Ambient -65°F to +160°F
 - 54°C to +71°C
 - Media -65°F to +160°F
 - 54°C to +71°C
- Vibration capability to 10G's

Typical Options

- Extremely wide deadband
- Dry circuit to 7 amps 28 VDC electrical rating
- DPDT snap action switch element
- Electrical assembly hermetically sealed per MIL-HDBK-5400 Para. 3.8
- Electrical connector per most military specifications or wire leads per MIL-W-16878/4
- Pressure connection per most military specifications
- Operating (ambient) temperature up to 275°F (135°C)
- Vibration capabilities up to 15G's

Heritage

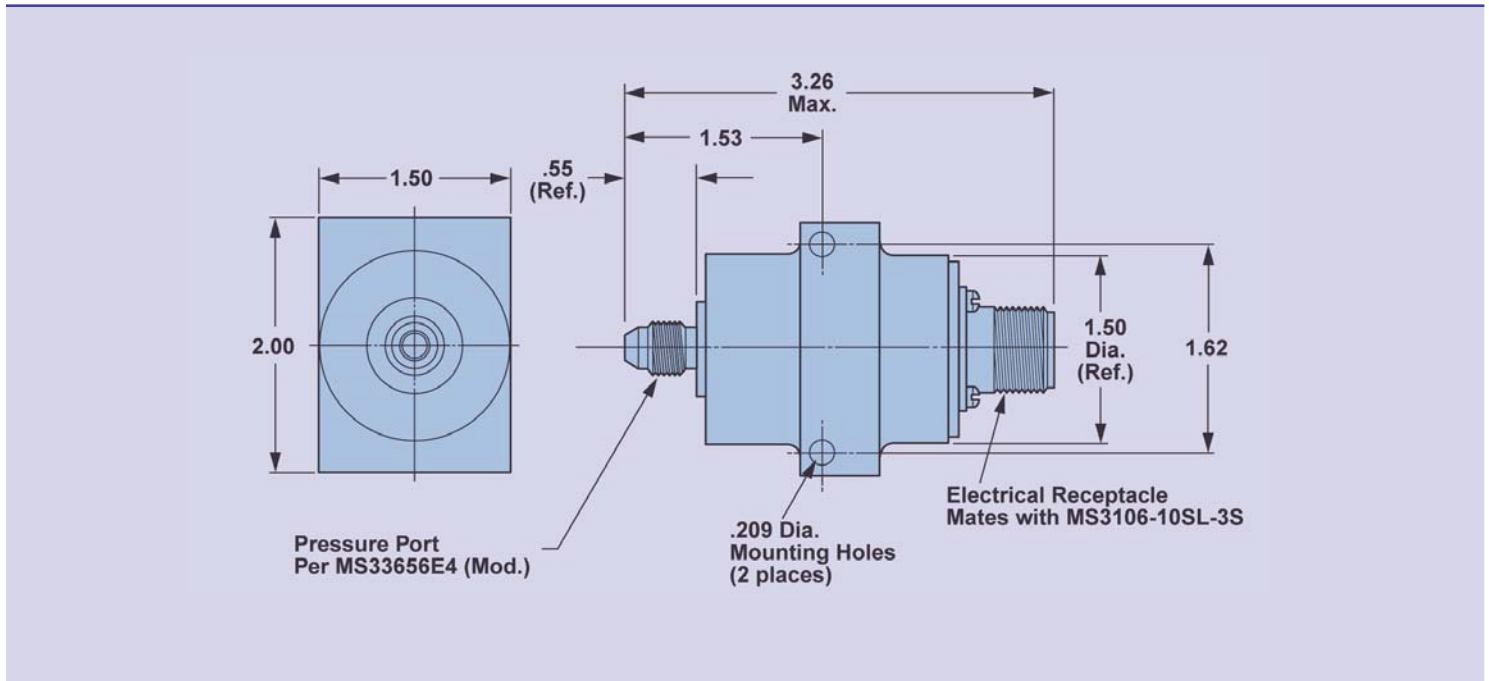
The Series 1194P has seen usage in numerous applications including Commercial and Military Aircraft and Commercial Launch Vehicles.

Customers: AlliedSignal, BF Goodrich, Boeing/McDonnell Douglas, Northrop

Programs: The following list is an example of some of the programs that utilize the 1194P switch:
757, 767, Atlas, B1, C17, DC8, DC9, DC10, E2C, F5, MD11, MD80, MD90, T45

Series 1194P - Absolute Pressure Switch

Envelope Dimensions



Basic Principles of Design

