

## Series 1193P

### Miniature Absolute Pressure Switch

Nega-Rate® Belleville disc spring/diaphragm sensing mechanism and welded stainless steel construction ensures absolute setting integrity.

- Hermetically sealed absolute switch
- Welded stainless steel construction



### General Specifications

- Set point range from 5 to 105 psia
- Deadband range from 3.5 psi or 15%, whichever is greater, to 45% of the set point
- Proof pressure up to 300 psia
- Pressure capsule all stainless steel, heliarc welded and leak proof to  $1 \times 10^{-9}$  SCC/SEC
- SPDT snap action switch element
- Electrical rating 1 amp 28 VDC, 200 volts dielectric
- Electrical chamber hermetically sealed per MIL-HDBK-5400 Para. 3.8
- Temperature Range
  - Ambient -65°F to +275°F
  - 54°C to +135°C
  - Media -65°F to +400°F
  - 54°C to +204°C
- Vibration capability to 15G's

### Typical Options

- Set point range from 0.5 to 300 psia
- Narrow to wide deadband
- Dry circuit electrical rating
- DPDT snap action switch element or patented shunt-disc
- Electrical connector per most military specifications or wire leads per MIL-W-16878/4
- Pressure connection per most military specifications
- Operating (ambient) temperature up to 400°F (204°C)
- Vibration capabilities up to 25G's with a switch element, or 100G's with a patented shunt-disc (Patent No. 3876845)

### Heritage

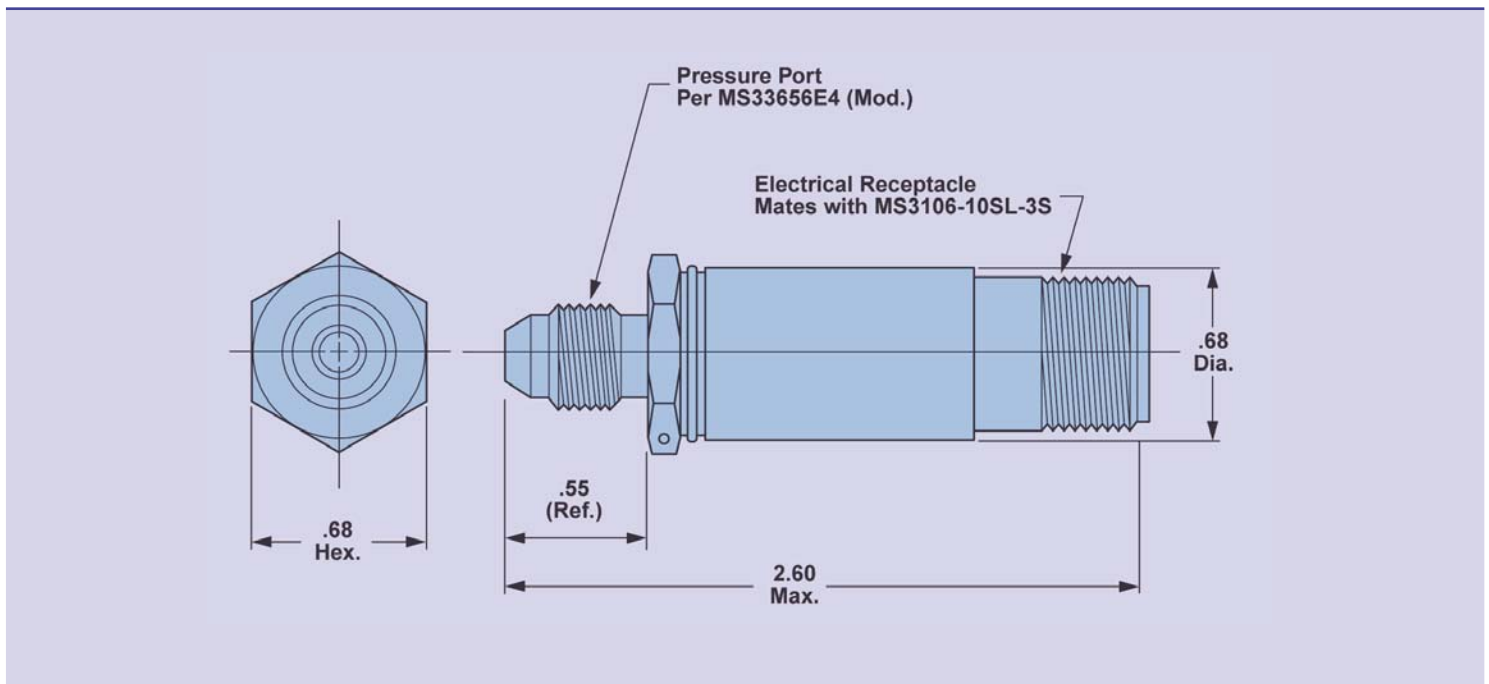
The Series 1193P has seen extensive usage in numerous applications including Commercial & Military Aircraft (both helicopters and airplanes), Military Missiles and Military Land and Sea (tanks & submarines).

Customers: AlliedSignal, Northrop, Parker Hannifin, Teledyne, UniDynamics

Programs: The following list is an example of some of the programs that utilize the 1193P switch: A7, A10, AH64, ES3A, F5, F15, F18, M1, MX, P3, Trident

# Series 1193P - Absolute Pressure Switch

## Envelope Dimensions



## Basic Principles of Design

