

Series 1173P

Miniature Pressure Switch

Nega-Rate® Belleville disc spring/diaphragm pressure sensing mechanism. Small size, stainless steel and hermetically sealed construction is designed for the most hostile vibration, shock, temperature and environmental conditions.

- Hermetically sealed gage switch
- Welded stainless steel construction



General Specifications

- Set point range from 15 to 105 psig
- Deadband range from 3.5 psi or 15%, whichever is greater, to 45% of the set point
- Proof pressure up to 300 psig
- Pressure capsule all stainless steel, heliarc welded and leak proof to 1×10^{-9} SCC/SEC
- SPDT snap action switch element
- Electrical chamber hermetically sealed per MIL-HDBK-5400 Para. 3.8
- Temperature Range
 - Ambient -65°F to +275°F
 - 54°C to +135°C
 - Media -65°F to +400°F
 - 54°C to +204°C
- Vibration capability to 15G's

Typical Options

- Set point range from 0.5 to 1000 psig
- Narrow to wide deadband
- Proof pressure up to 4500 psig
- Dry circuit to 7 amps 28 VDC electrical rating
- DPDT snap action switch element or patented shunt-disc
- Electrical connector per most military specifications or wire leads per MIL-W-16878/4
- Pressure connection per most military specifications
- Operating (ambient) temperature up to 400°F (204°C)
- Vibration capabilities up to 25G's with a switch element, or 100G's with a patented shunt-disc (Patent No. 3876845)
- Flame proof capability

Heritage

The Series 1173P has seen extensive usage in numerous applications including Commercial & Military Aircraft (both helicopters and airplanes), Military Missiles and Commercial Launch Vehicles.

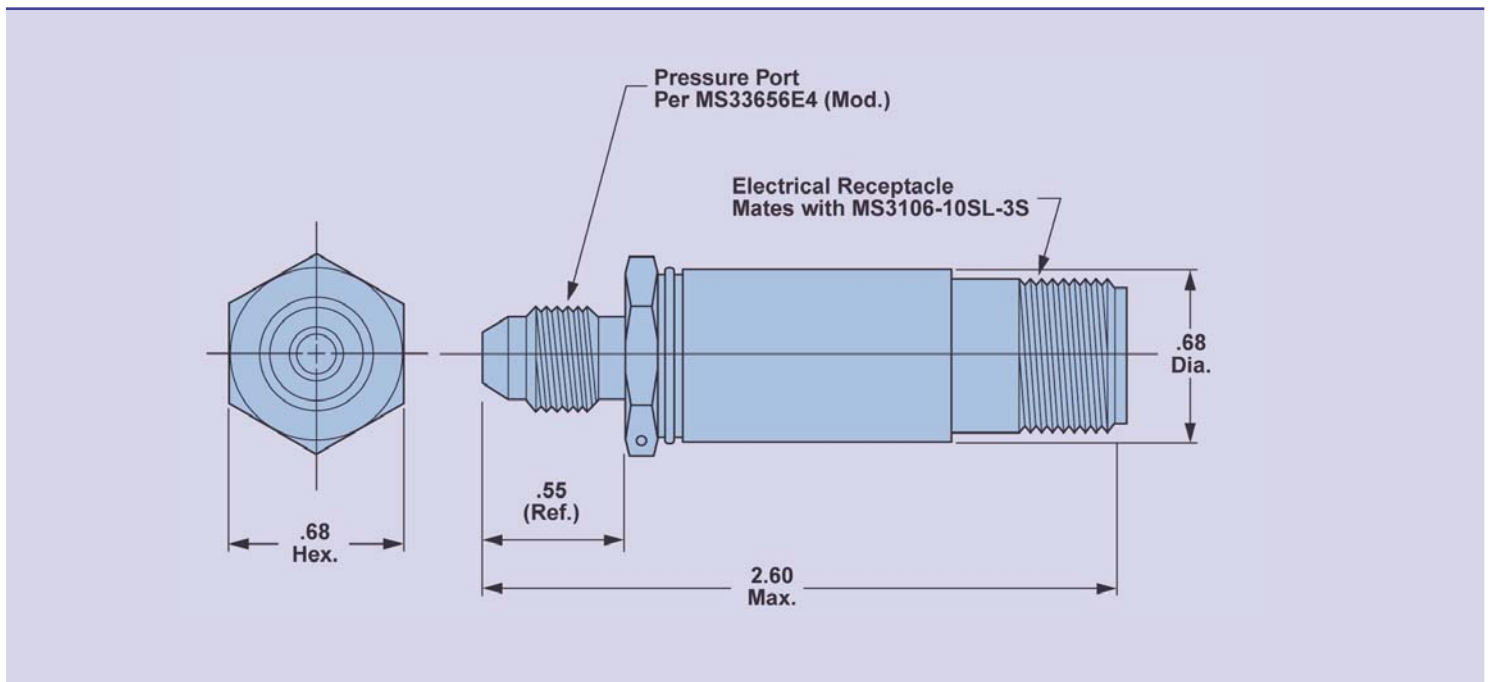
Customers: Aerojet, Allison Transmission, AS/PE, Bell Helicopter, Bendix, Boeing, Boeing/McDonnell Douglas, Dowty, EMBRAER, FCD, Hamilton Standard, HR Textron, Lockheed, Marquardt, NASA, Parker Hannifin, Perkins, Sikorsky, Sundstrand, Vickers/Sterer

Programs: The following list is an example of some of the programs that utilize the 1173P switch:

727, 737, 757, 767, 777, A320, A330, AH15, B2, B52, Bell 205/212/224, C130, C17, C5, CBA 123, EMB145, F15, F111, GE 404, JFC 104, J Star, Lynx, M1A1 Tank, MKV, MX Missile, Navy Tow Reel, Patriot, Phalynx, RAH66, Titan, Space Shuttle, V22

Series 1173P - Miniature Pressure Switch

Envelope Dimensions



Basic Principles of Design

